

	SM White	SM Cashmere	SM Light Grey	SM Dust Grey	SM Metallic Grey	SM Graphite	SM Cascade Sandstone	SM Cascade Blue	SM Cromia Blue	UG Glacier White	UG White	UG Cream	UG Cashmere	UG Light Grey	UG Stone Grey	UG Baltic Blue	UG Black	UG Metallic Champagne	UG Metallic Blue	UG Metallic Anthracite	UG Limestone	UG Copperleaf	UG Japanese Pear	Serica Matt Pebble	Serica Matt Taupe	Serica Matt Sage Green	Serica Matt Kombu Green	Serica Matt Indigo Blue	Serica Matt Black
Multi-Purpose Rail	■	■	■	■	■	■	■	■	■	■	■	■	■	■	■	■	■	■	■	■	■	■	■	■	■	■	■	■	■
Edging Tape	■	■	■	■	■	■	■	■	■	■	■	■	■	■	■	■	■	■	■	■	■	■	■	■	■	■	■	■	■
Plinth	■	■	■	■	■	■	■	■	■	■	■	■	■	■	■	■	■	■	■	■	■	■	■	■	■	■	■	■	■
End Panels	■	■	■	■	■	■	■	■	■	■	■	■	■	■	■	■	■	■	■	■	■	■	■	■	■	■	■	■	■
Made to Measure Panels/Tops	■	■	■	■	■	■	■	■	■	■	■	■	■	■	■	■	■	■	■	■	■	■	■	■	■	■	■	■	■

Key: **SM** = Supermatt, **UG** = Ultragloss



Multi-Purpose Rail

55mm W x 36mm T x 2745mm L
Code: AZMPR



Edging Tape

22mm W x 1mm x 10m L roll of edging. Matching colours.
Code: AZMATCHEDG
Glass effect colours
Code: AZGLASSEDG
Plywood effect
Code: AZPLYWEDGE



Self Adhesive Edging Tape

18mm x 10M Peel and Stick Edging
Formulated to bond onto cabinet edging – not suitable to apply direct to chipboard, MDF or timber.
Limited colours available, see MyBA.



Internal Corner Post*

720H x 80 x 80 L-Shape, 2 piece
Code: AZCORNER80
900H x 80 x 80. L-shape, 2 piece
Code: AZCORNER980





Plinth

Plinth is available in any height between 100mm and 150mm x 2745mm long. Exceptions: UG Limestone and Copperleaf = 2.715M L. Supplied with matching edging on one long edge. Code: **AZPLINTH**

Aluminium Plinth

150mm H x 2745mm L. Pack of 10 clips included. Code: **AAP**

End Panels

Edged 4 sides - edging supplied as doors ordered, unless specified.

900 x 350mm
900 x 650mm
2400 x 650mm

Made to Measure Panels/Tops (edged 4 sides)

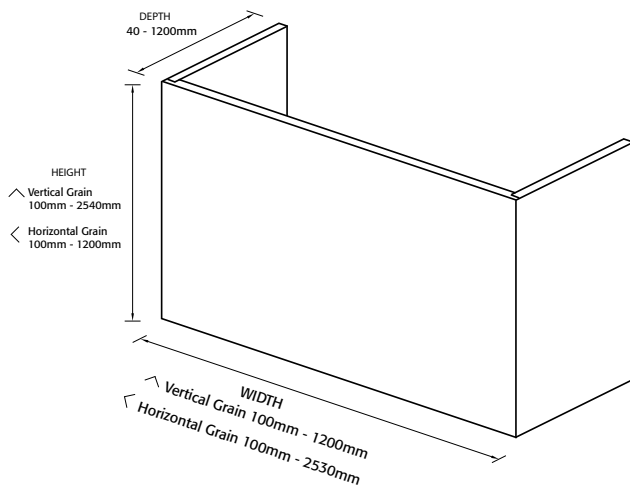
Available any size from 100 > 2540mm L x 100 > 1200mm W.

Raw Edge Panels (not edged)

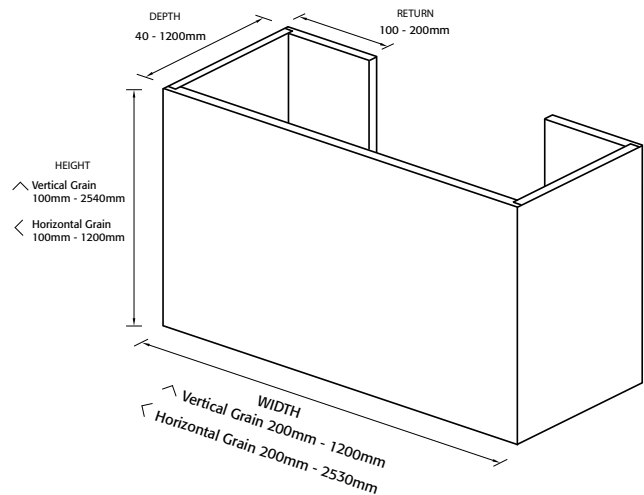
Available any size from 100 > 2540mm L x 100 > 1200mm W.

Wrap Around End Panels

WRAP AROUND C-PANEL



WRAP AROUND G-PANEL



- All panels are 18mm thick and when constructed will have no visible raw edges.
- All panels supplied with a doweled Butt joint for easy assembly.
- Handleless Rail End Panels - use C-Panel with depth of 45mm.
- All panels are vertical grain unless otherwise specified.
- Not available in glass effect edging .
- On G Panel for widths 400mm or less Returns should be 100mm.

Wrap Around C-Panel

Price per m² (3 panels)

Code: **AZPWAC**

Wrap Around G-Panel

Price per m² (5 panels)

Code: **AZPWAG**